

Winkelausschläge der Zugöse D50:
Angle of drawbar eye:

Horizontal ± 90° min
Vertikal ± 20°
Axial 360° bei einem Mindestdrehmoment von 100 Nm
with a minimum torque of 100 Nm

Fastening torques according to mounting instruction
Anzugsmomente gemäß Montageanleitung

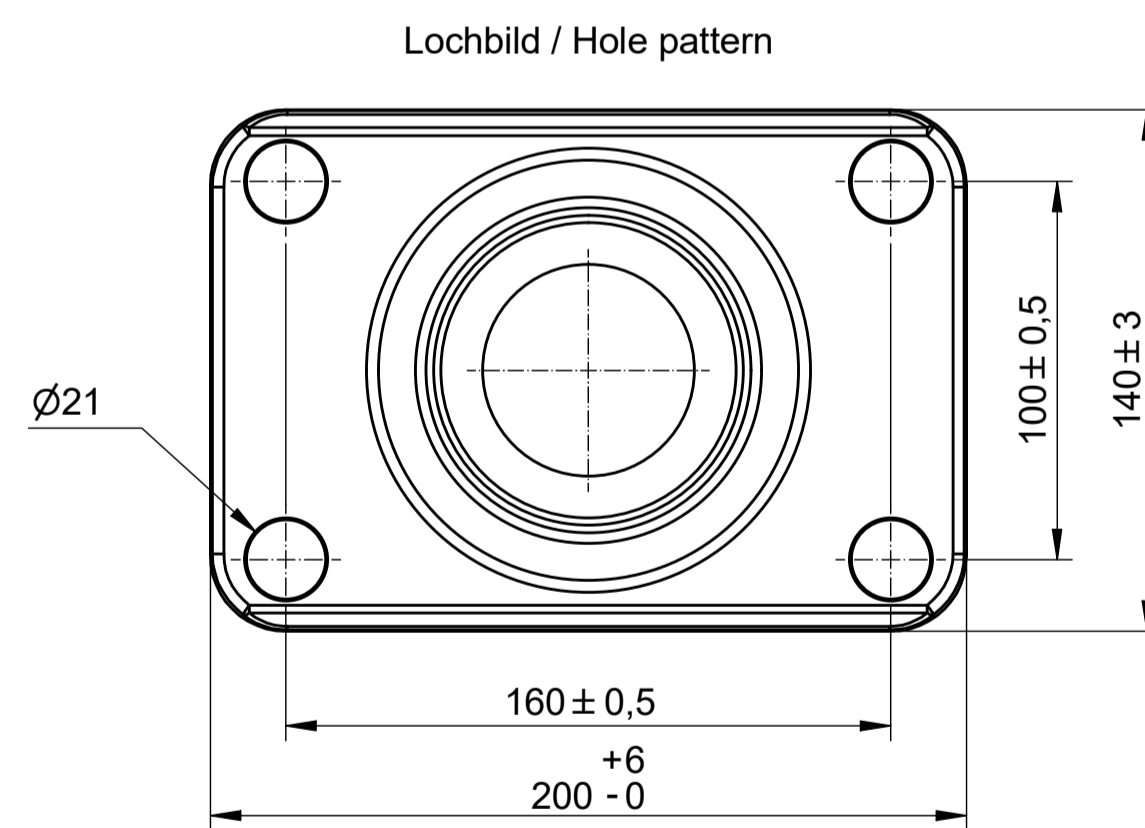
Identification plate

RINGFEDER
RF50-GX A
Zur Verbindung mit Zugösen Ø50 DIN 74053 oder ISO 1102

E11 55R - 01 9919 Fabr. Nr. XXXXXX Bj. YY/WW

D	160kN	D _c	92	-	-	kN
Class:	C50-X	S	1000	-	-	kg
	10090535	V	40	-	-	kN

Made in Sweden



RINGFEDER		Modified Date	2021-03-30	Modified by	JL	Modification No.	13001	Issue	a
		3D Model No.	15990611	Engineer	HBH				
Description	RF50 GX A	Sheet Size	A1	Scale	1:2	Drawing Date	2019-12-16	Drawn by	HBH
		Stage	P	Drawing No.	15990611(F)	Info			