

Identification plate

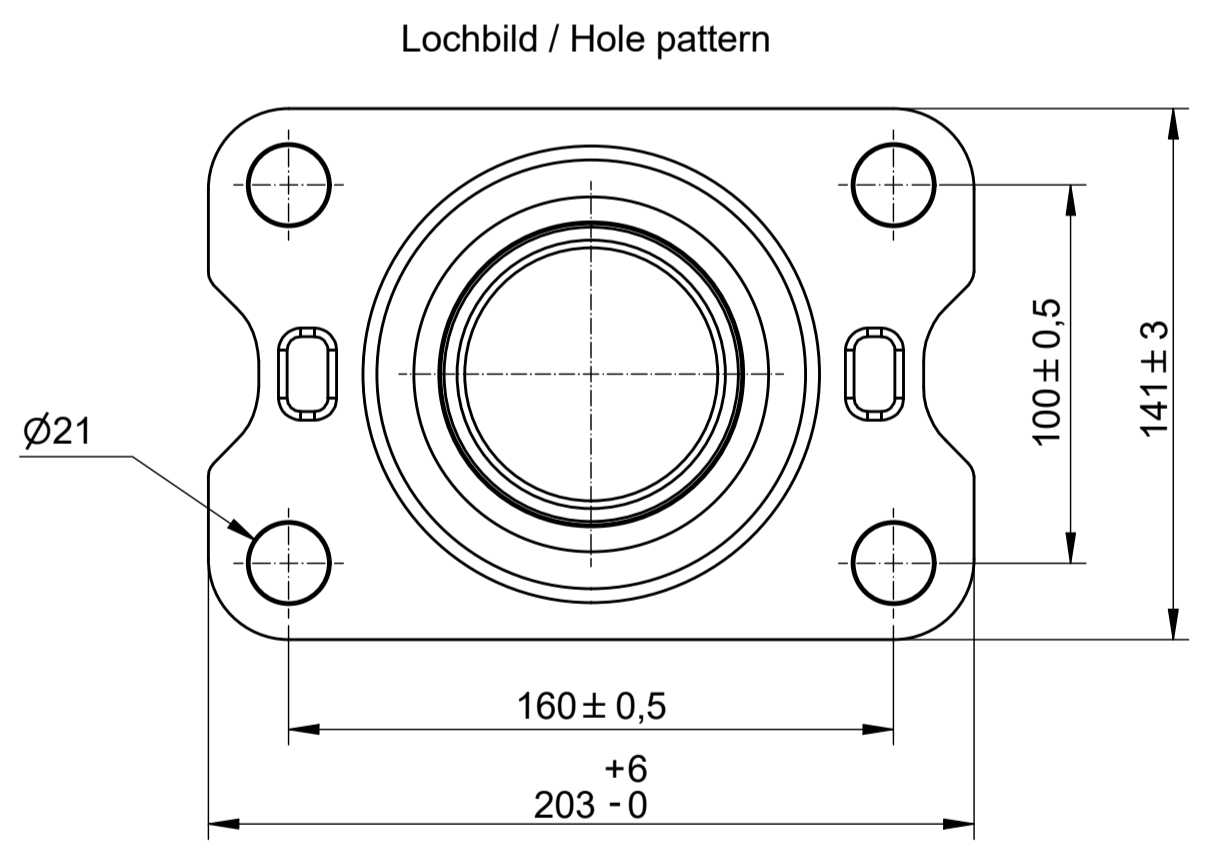
**RINGFEDER**  
**RF50 AM INT**  
 for connection with drawbar eye Ø50 DIN 74053 or ISO 1102

Serial No. XXXXXX Year YY/WW

Class: C50-X

10090566 Made in Sweden

D	320kN	D:	135	Alt 1:	135	Alt 2:	170	kN
S	1000	2000	1000	kg				
V	75	63	60	kN				



Winkelausschläge der Zugöse:  
 Angle of of drawbar eye:

Horizontal ± 90° min  
 Vertikal ± 20°  
 Axial 360° bei einem Mindestdrehmoment von 100 Nm  
 with a minimum torque of 100 Nm

Fastening torques according to mounting instruction  
 Anzugsmomente gemäß Montageanleitung

		Modified Date	2021-03-30	Modified by	JL	Modification No.	13001	Issue	a
		3D Model No.	15990623	Engineer	HBH				
<b>VBG GROUP</b> Description RF50 AM INT		Sheet Size	A1	Scale	1:2	Projection	1st Angle	Drawing Date	2019-12-16
		Stage	P	Drawing No.	15990623(F)	Info			