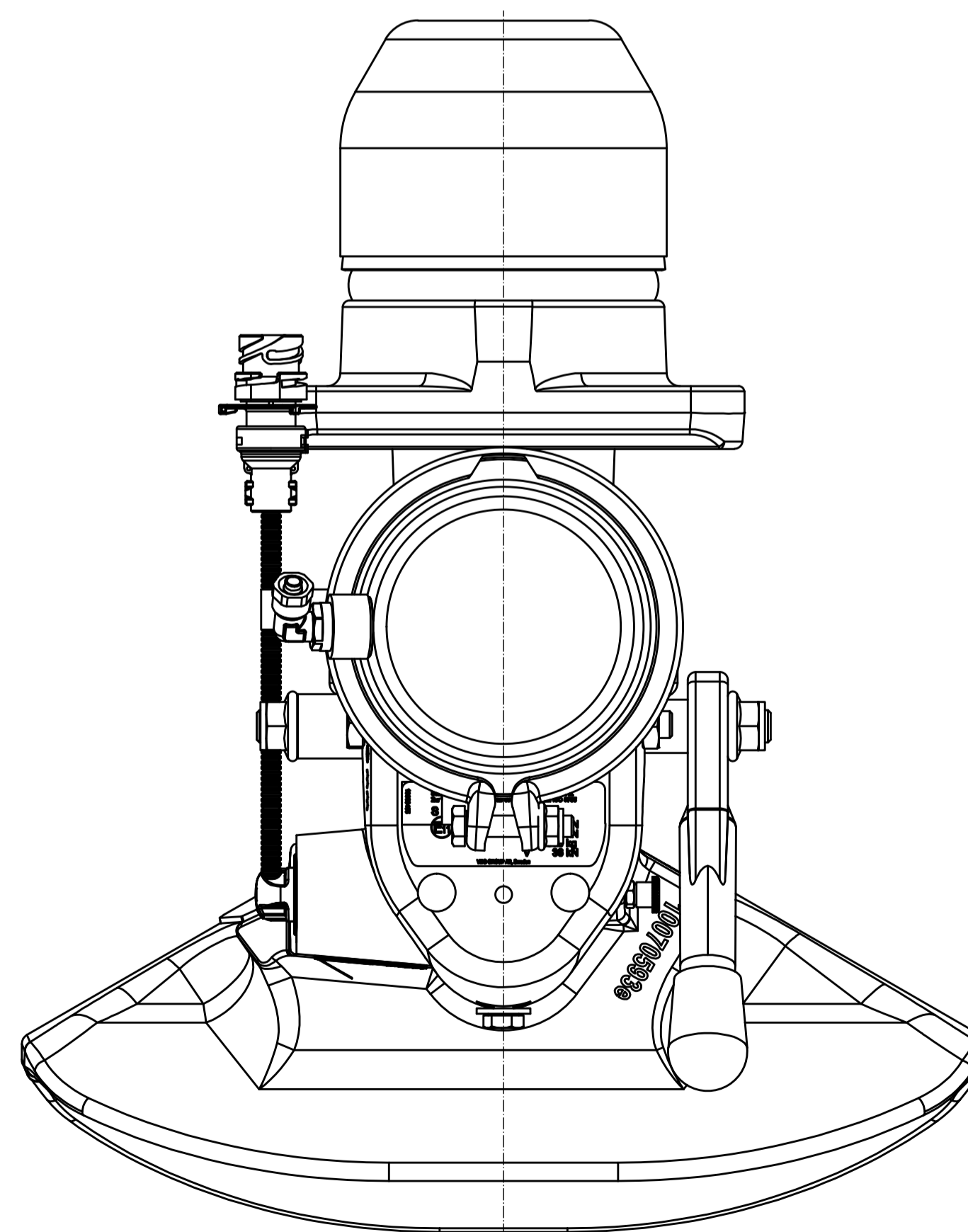


D (1:2)



Possibilities to operate:

1. VBG valve box
2. C- connector
3. Palm- connector
4. Duomatic-connector

Betätigungsmöglichkeiten:

1. VBG Ventilkasten
2. C- Verbinder
3. Palm-Verbinder (Kupplungskopf standard rot)
4. Duomatik verbindung

RINGFEDER

Selbsttätige Bolzenkupplung Typ 4040/G145 Ausf. AM m.
Zur Verbindung mit Zugösen 40 DIN 74054 oder ISO 8755

S	Fabr.-Nr.	Bj.	
E11	55R - 01 6291	D	100 kN
		Dc	92 kN
		S	1000 kg
		V	38 kN

VBG GROUP AB, Sweden

Winkelausschläge der Zugöse / angles of drawbar eye:

- Horizontal : ±110°
 Vertikal : ± 20°
 Axial : 360° bei einem Mindest-Drehmoment von 100Nm /
 360° if using minimum tightening torque of 100Nm

VBG GROUP	Modified Date	2014-04-22	Modified by	SN	12202	Modification No.	12202	Issue	a	
	3D Model No.	14999521	Engineer	HBH	Checked by					
	Description	Automatic drawbar coupling		Sheet scale	A1	1:2	Production	2014-03-31	Drafted by	
	Selbsttätige Bolzenkupplung Type 4040/G145 Ausf. AM	Stage	P	Drawing No.	14999521info					

This drawing is the property of VBG Group AB and is protected in accordance with prevailing law. Changes must be made in CAD program; this concerns both 2D & 3D.